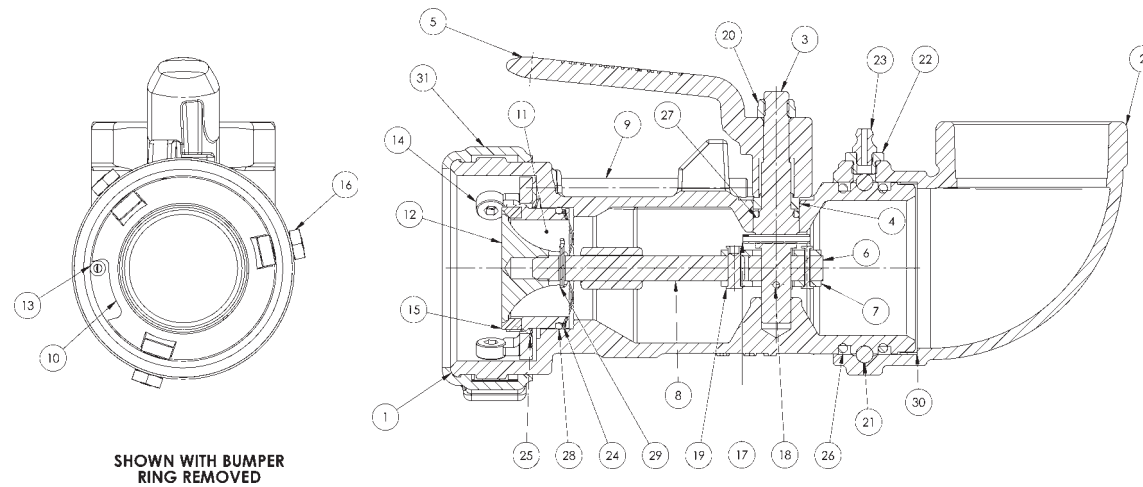


Bayco Brand BA and BS Series Bayonet Style Dry Disconnect Fittings



Parts breakdown:

Item #	Description	Part #	Material	Qty
1	Body	40136AL	Aluminum	1
2	Elbow	40137AL	Aluminum	1
3	Shaft	40138SS	Stainless steel	1
4	Follower	40139SS	Stainless steel	1
5	Lever	40140SS	Stainless steel	1
6	Link	40141SS	Stainless steel	1
7	Bent link	40142SS	Stainless steel	2
8	Stem	40143SS	Stainless steel	1
9	Interlock pin	40144SS	Stainless steel	1
10	Lock ring	40145SS	Stainless steel	1
11	Nose piece	40146HC	Aluminum	1
12	Popper	40147RA	Aluminum	1
13	Coiled pin	40148SS	Stainless steel	1
14	Bayonet stud	40149SS	Stainless steel	3
15	Nose seal	40150BN	Buna-N	1
16	Jam nut	40151SS	Stainless steel	3
17	Spring pin	40152SS	Stainless steel	1
18	Grooved pin	40153SS	Stainless steel	1
19	Rivet	40154SS	Stainless steel	2
20	Lock nut	40155SS	Stainless steel	1
21	Ball bearing	40156SS	Stainless steel	32
22	Ball plug	40157BR	Brass	1
23	Grease fitting	40158ST	Steel	1
24	Wave spring	40159SS	Stainless steel	2
25	Wave spring washer	40160SS	Stainless steel	1
26	O-ring	40161BN	Buna-N	2
27	O-ring	40162BN	Buna-N	1
28	O-ring	40163BN	Buna-N	1
29	Cotter pin	40164SS	Stainless steel	1
30	Bearing strip	40165NY	Nylon	1
31	Bumper ring	40166VY	PVC	1
32	Label	40167AL	Aluminum	1

Order Guide:

Dixon Part #	Description
BA31-200	2" bayonet style dry disconnect adapter, stainless steel with buna seals
BA32-200	2" bayonet style dry disconnect adapter, stainless steel with Viton® seals
BS61-200	2" bayonet style dry disconnect coupler, aluminum 90° swivel with buna seals
BS62-200	2" bayonet style dry disconnect coupler, aluminum 90° swivel with Viton® seals
BSS61-200	2" bayonet style dry disconnect coupler, straight swivel with buna seals
BSS62-200	2" bayonet style dry disconnect coupler, straight swivel with Viton® seals

Compatibility:

Bayco brand BA and BS series bayonet dry disconnect fittings are guaranteed to be compatible with existing models as defined in our cross reference chart below. These new bayonet dry disconnect fittings are designed and tested to provide maximum performance when connected with existing models. Our continued testing of all fittings before shipment ensures high performance and reliability.



Quality:

A close look at the Bayco brand BA and BS series bayonet dry disconnects shows our high level of quality. The fit and finish of these fittings is exquisite. A black hard anodized body with polished stainless steel hardware provides a high-tech look. The smooth coupling action and swivel rotation is a result of our attention to detail. All fittings are tested under pressure to ensure proper operation and leak-tight performance.

Service:

The Bayco brand BA and BS series bayonet style dry disconnects are available with the same great service that you would expect from all Dixon products. Dry disconnects are stocked in 12 warehouse locations across the United States, eliminating long wait times, international shipments and high freight charges.

Our goal is to provide the highest value product available. Contact your local Dixon distributor and ask for a quote.

Cross-reference chart

BA series		BS series	
Bayco	Emco™	Bayco	Emco™
BA31-200	J72A-BBN0-B / J72A-ABN0-B	BS61-200	J72C-ABN2-B
BA32-200	J72A-BVN0-B / J72A-AVN0-B	BS62-200	J72C-AVN2-B
		BSS61-200	J72C-ABN1-B
		BSS62-200	J72C-AVN1-B

Emco™ is a trademark of Gardner Denver Corp.

Buy Better, Buy Bayco



Bayco Brand BA and BS Series Bayonet Style Dry Disconnect Fittings

Dixon Petroleum and Dry Bulk Equipment

800 High Street, Chestertown, MD 21620

Customer Service: 410-778-2002 • 800-355-1991

Fax: 410-778-4702 • 800-283-4966

Dixon Bayco Limited

2315 Bowman Street

Innisfil, Ontario Canada L9S 3V6

Customer Service: 705-436-1125 • 800-355-1991

Fax: 705-436-6251 • 877-436-6251

www.dixonbayco.com



Through its divisions and affiliated companies, Dixon is recognized as the premier manufacturer and supplier of hose fittings and accessories spanning a wide range of industrial uses. Dixon's reach includes products for fire protection, food, dairy processing, beverage and brewery, mobile tankers, mining, construction, chemical processing, petroleum, oilfields, refining, nuclear and manufacturing.